

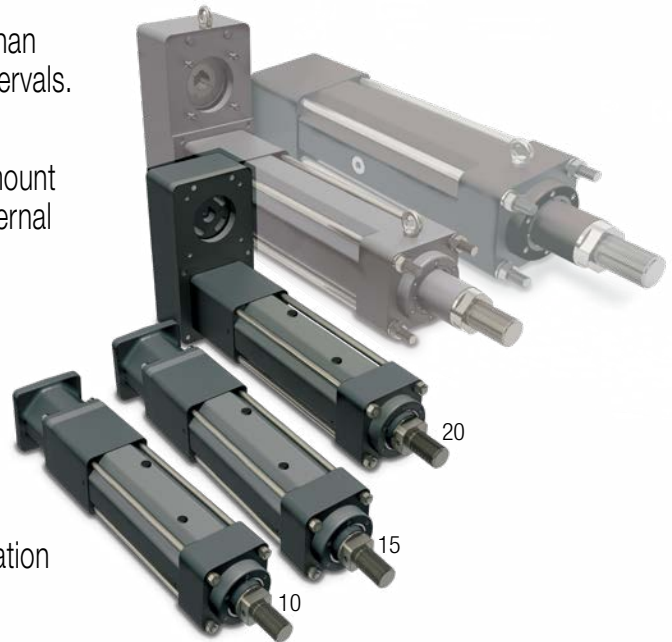
# RSX10-20 OIL COOLED OPTION

Contact Tolomatic for Oil Cooled Option on Other Sizes

## RSX EXTREME FORCE, HYDRAULIC CLASS ACTUATORS

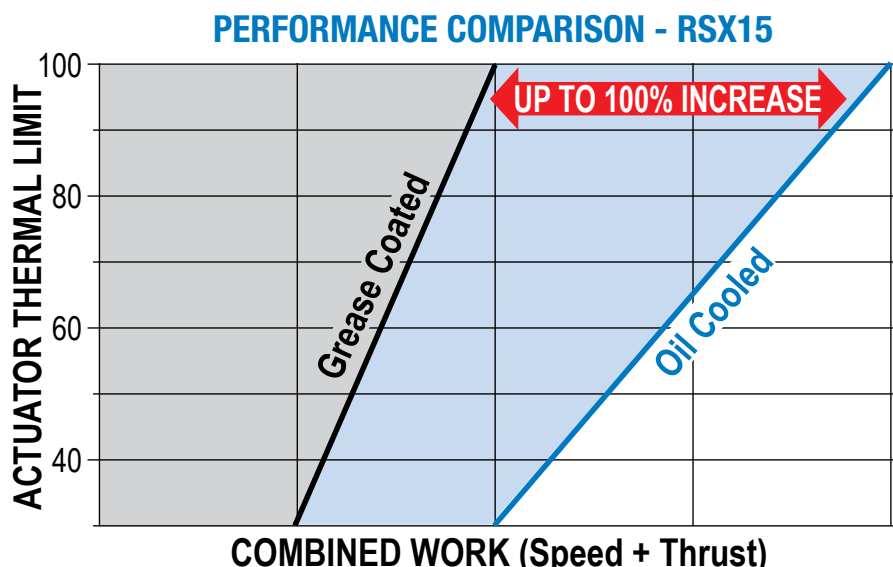
### Challenge: High force applications that are above standard RSX range

- Some applications require higher duty cycles and forces than can be supported by traditional greases and lubrication intervals. Proper operation and maintenance is critical to long life.
- Consistent service life requires a careful balance of the amount of work that needs to be done and maintaining optimal internal screw & nut temperatures.
- If possible, avoid external cooling systems since they are:
  - > Costly and difficult to implement
  - > Too large and take up extra space
  - > Prone to leaks and additional maintenance
  - > Often require sophisticated and complex instrumentation



### Solution: RSX Oil Cooled Actuator

- Eliminates the need for frequent lubrication and maintenance schedules while also doubling the continuous capabilities of the actuator
- The oil cooled option provides more efficient heat transfer from the load carrying components



Please contact Tolomatic for performance of other oil cooled RSX sizes

### What does Oil Cooled mean?

An unpressurized synthetic oil bath around the screw and nut replaces the standard (extreme temperature and pressure rated) grease. The oil bath efficiently reduces internal temperatures while simultaneously providing lubrication.

# RSX10-20 OIL COOLED OPTION

Contact Tolomatic for Oil Cooled Option on Other Sizes

## RSX ACTUATORS

- An ideal choice for replacing hydraulic cylinders
- Available for forces up to 66,000 lbf (294 kN)
- Designed for 100% duty cycle, rugged service and long life

## OIL COOLED OPTION

- Provides up to 2 times the work capacity compared to standard grease RSX actuators.

**ENDURANCE TECHNOLOGY<sup>SM</sup>**  
A Tolomatic Design Principle

### THRUST TUBE

- Steel thrust tube supports extremely high force capabilities
- Salt bath nitride treatment provides excellent corrosion resistance, surface hardness and is very resistant to adherence of potential contaminants

### YOUR MOTOR HERE

Motors and gearboxes up to 215 mm motor frame size

### PLANETARY ROLLER SCREWS

- Precision ground planetary roller screws
- High force with high dynamic load rating for long life
- High positional accuracy  $\pm 0.0102\text{mm}/300\text{mm}$  ( $\pm 0.0004"/\text{ft.}$ )

### OIL RETAINING REPLACEABLE ROD SEAL CARTRIDGE

One piece assembly designed for easy field replacement

### OIL FILL PORT

Easy maintenance when required

### INTERNAL ANTI-ROTATE

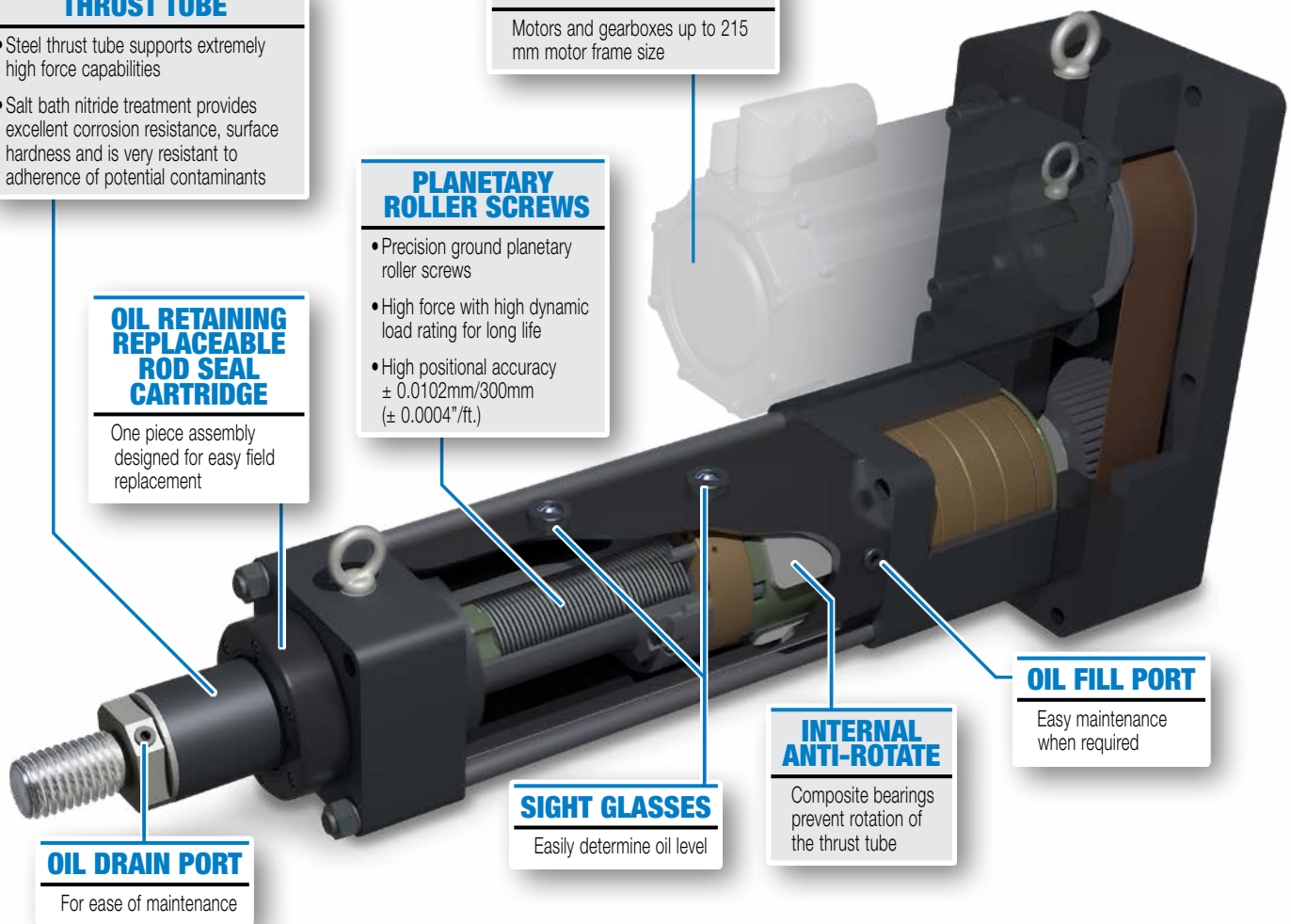
Composite bearings prevent rotation of the thrust tube

### SIGHT GLASSES

Easily determine oil level

### OIL DRAIN PORT

For ease of maintenance



MADE IN U.S.A.

**Tolomatic<sup>TM</sup>**  
EXCELLENCE IN MOTION

COMPANY WITH  
QUALITY SYSTEM  
CERTIFIED BY DNV  
= ISO 9001 =  
Certified site: Hamel, MN

#### USA - Headquarters

**Tolomatic Inc.**  
3800 County Road 116  
Hamel, MN 55340, USA  
**Phone:** (763) 478-8000  
**Toll-Free:** 1-800-328-2174  
sales@tolomatic.com  
[www.tolomatic.com](http://www.tolomatic.com)

#### MEXICO

**Centro de Servicio**  
Parque Tecnológico Innovación  
Int. 23, Lateral Estatal 431,  
Santiago de Querétaro,  
El Marqués, México, C.P. 76246  
**Phone:** +1 (763) 478-8000  
help@tolomatic.com

#### EUROPE

**Tolomatic Europe GmbH**  
Elisabethenstr. 20  
65428 Rüsselsheim  
Germany  
**Phone:** +49 6142 17604-0  
help@tolomatic.eu  
[www.tolomatic.com/de-de](http://www.tolomatic.com/de-de)

#### CHINA

**Tolomatic Automation Products (Suzhou) Co. Ltd.**  
No. 60 Chuangye Street, Building 2  
Huqiu District, SND Suzhou  
Jiangsu 215011 - P.R. China  
**Phone:** +86 (512) 6750-8506  
Tolomatic\_China@tolomatic.com

All brand and product names are trademarks or registered trademarks of their respective owners. Information in this document is believed accurate at time of printing. However, Tolomatic assumes no responsibility for its use or for any errors

that may appear in this document. Tolomatic reserves the right to change the design or operation of the equipment described herein and any associated motion products without notice. Information in this document is subject to change without notice.

Visit [www.tolomatic.com](http://www.tolomatic.com) for the most up-to-date technical information